
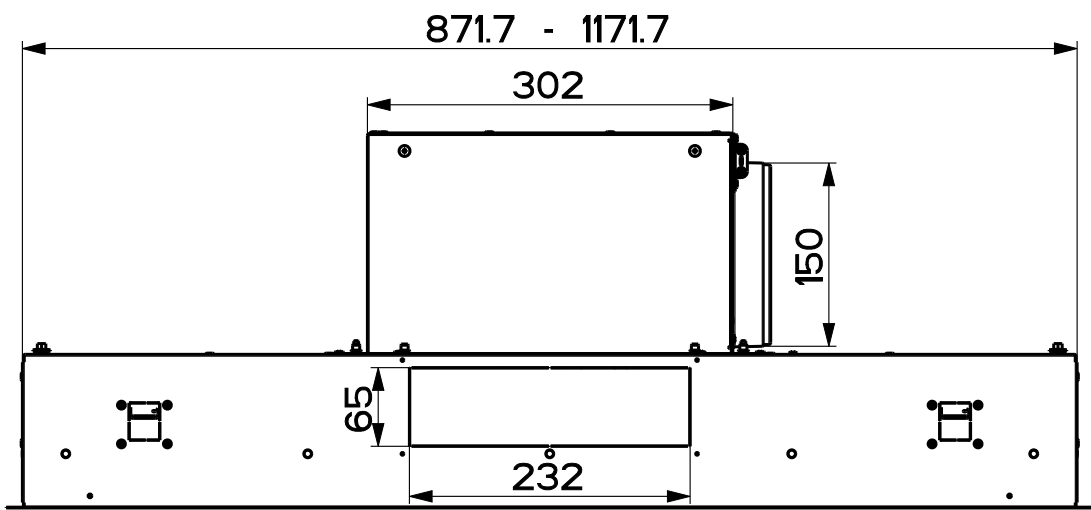
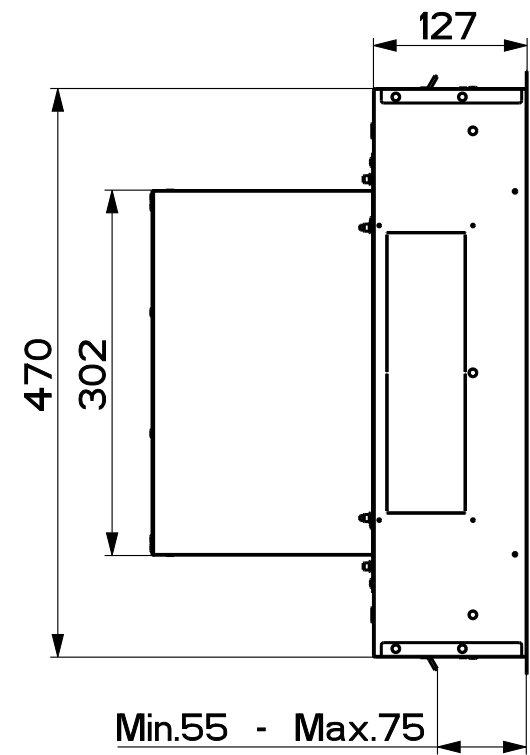
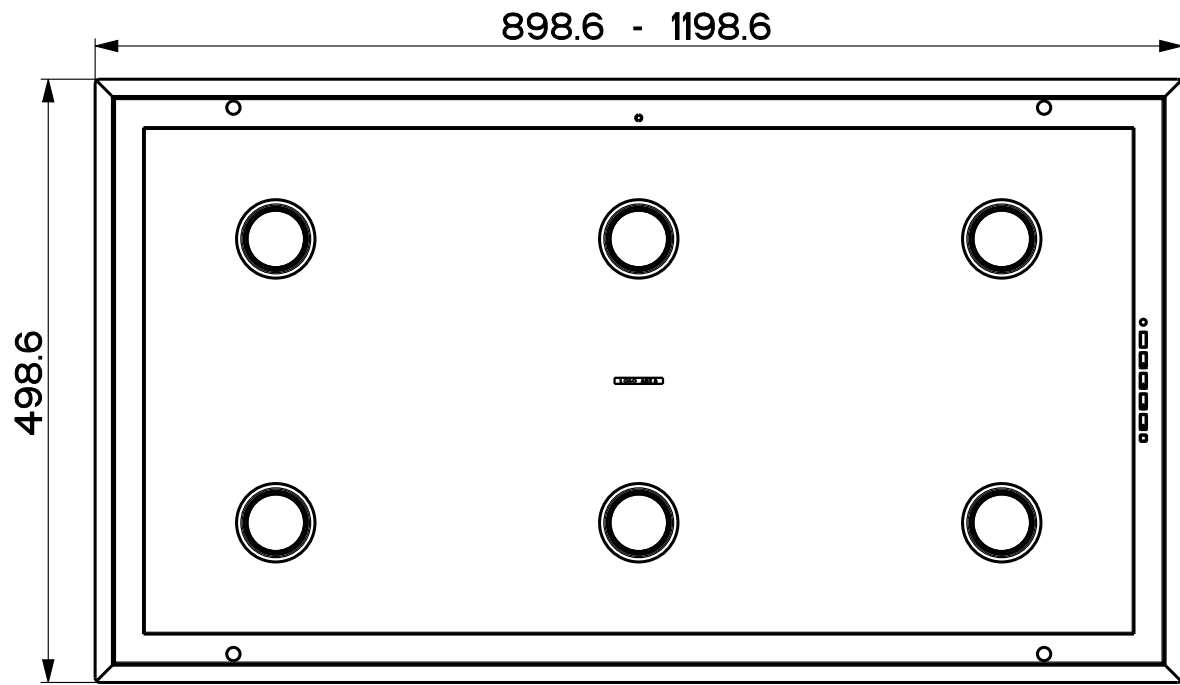
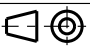


| | |
|------------------------------------------------------------------------------------------------------|------------------|
| Created by Bellucci, Daniele | |
| Denomination DIMENSIONAL DRAWING 90/120 6 S1000 | |
| Lang EN  | Sheet 1/2 |
| Modif.by | |
| Approved by Bellucci, Daniele | |
| Approval date 27-Jun-2022 | |
| Doc. status Released | |
| Drawing N. 59A_1131 | Rev 01 |



| | |
|------------------------------------------------------------------------------------------------------|------------------|
| Created by Bellucci, Daniele | |
| Denomination DIMENSIONAL DRAWING 90/120 6 S1000 | |
| Lang EN  | Sheet 2/2 |
| Modif.by | |
| Approved by Bellucci, Daniele | |
| Approval date 27-Jun-2022 | |
| Doc. status Released | |
| Drawing N. 59A_1131 | Rev 01 |